



Event Supplementals

The EmbracingAI.ai

Double Down at The Glen - Back-to-Back 7s

Watkins Glen International

Watkins Glen, New York USA

CONTACTS

REGISTRATION

Andrea Chisek

reg@champcar.org

910.309.8139

OPERATIONS DIRECTOR

Bill Strong

bill.strong@champcar.org

434.996.6721

EVENT SPECIAL NOTICES

ESN 1 - Max sound of 96dbA at 50-feet will be enforced per the BCCR.

ESN 2 - Track damage fees will be passed onto the team responsible for the damage. Track limits will be enforced.

ESN 3 - Flagtronics will be available for rent at \$50 per event weekend. Available at Race Central / Registration.

ESN 4 - Headlights must be white or yellow in color. Brake lights and rear tail lights must be red and clearly seen by the corner workers.

ESN 5 - Photo/Media Credentials: Cut-off for event credentials is 2-Weeks before event start. Please visit <https://champcar.org/web/media.php>

EVENT TIMELINE

SCHEDULE IS SUBJECT TO CHANGE

| | |
|-------------------------------|---|
| May 22, 2025 Thursday: | Pre-Staging After 3:00pm, you may drop trailers in Lot 3 |
| May 23, 2025 Friday: | Load In Day 7:00am - 6:00pm Registration Opens - Bronson Hill ALL TEAMS MUST sign waiver and get wristband at Registration. 8:00am Gate 2 Opens. DO NOT BLOCK CR16!!!! 9:00am Tech & Registration begin 12:00pm Test session drivers meeting (\$200 at registration) 1:00pm-3:00pm Point-by passing test session 3:00pm-5:00pm Open-passing test session 5:15pm New to Champ Driver & Crew Meeting 5:30pm Pitlane closes and Pit Gates locked. 6:00pm Tech & Registration ends LATE ARRIVALS CAN PARK AND CAMP IN LOT 3 |
| May 24, 2025 Saturday: | 7-Hour Endurance Race 1 7:00am Gate 2 Opens - Late arrivals can sign and get wristband at gate 2. 8:00am Drivers meeting 8:45am Cars to grid 9:00am Green Flag/Start of Endurance Race 1 4:00pm Checker Flag/End of Endurance Race 1 4:05pm Post Race Inspection 4:35pm Saturday Awards Ceremony 5:00pm Pitlane closes and Pit Gates locked. |
| May 25, 2025 Sunday: | 7-Hour Endurance Race 2 7:00am Gates Open 8:00am Drivers meeting 8:45am Cars to grid 9:00am Green Flag/Start of Endurance Race 2 4:00pm Checker Flag/End of Endurance Race 2 4:05pm Post Race Inspection 4:35pm Sunday Awards Ceremony 6:00pm Everyone must be off the property. |

Flagtronics FT-200 Firmware Version - v 0.8.0.0+

Sponsored: <https://embracingai.ai/>

Download and read the ChampCar Endurance Series BCCR:

<https://champcar.org/web/rules.php>

Reading the rules is required by all CCES drivers, crew and car builders.



Event Supplementals

Event Info

Technical Information

ATTENTION: All vehicles, drivers, and crew must meet the safety and equipment requirements of the [2025 BCCR](#). Stint maximum of 2 hours per driver with a minimum of 1 hour between stints.

All fueling is to be completed on pitlane race day. Absolutely no fueling in the garages. **Do not store fuel in the garages.**

Race Weekend Event Info - <https://champcar.org#race>

Community Chat & Info: <https://forum.champcar.org/topic/29634-2025-watkins-glen-double-down-at-the-glen-%E2%80%93-back-to-back-7s/>

Driver & Crew Waiver and Gear Check Agreement: Log into your membership portal and complete the Waiver. Once that is completed, continue to the Gear Check Agreement and complete it. Once done, you can collect your event wristband from registration. This waiver and agreement are done once a year.

Race Car Tech Inspection: All teams will be required to do the On-line Tech Form.

The Team Captain will find a button link on your main login page. Three months before the race, the tab "Submit a Tech Form" will take you to an electronic form that looks just like the paper Tech Inspection form. Simply fill in all the boxes at the top, then fill in or click on the listed point value items on your car. Save the form and you are done. At the track the Tech staff will simply check the required safety items on the car. Once the Tech staff clicks save on the safety portion of your online form you will get your annual tech sticker and head to ChampCar registration.

Please verify your timing & scoring transponder and Flagtronics FT-200 serial numbers, and make certain to add your car class to the tech form.

Flagtronics FT200 Wireless Flagging Display:

Limited quantities of units may be available to rent. Rental fee is \$50 for the event. You may purchase your own FT200 unit at <https://flagtronics.com/champcar>

Code35 will be in use at all ChampCar events.

As ChampCar test the timing and scoring capabilities with the Flagtronics FT-200, it is imperative that your FT200 unit and the GPS is mounted within the rules and that the unit is working.

Sound: Sound readings will take place throughout the weekend. All ChampCars are required to have mufflers, and not exceed 96dBa at 50ft.

Alcohol: Absolutely no alcohol may be consumed in the during the day's racing events.

Venue Specific Information

NOTE: Testing, tuning, brake bedding, high speed accelerations or braking will be limited to the track, and not allowed in the paddock or surrounding public roadways. Doing so could result in event expulsion with no fees returned.

2025 Tech Inspection: The Tech line will open on Friday at 9:00 AM and will remain open until 6:00 PM. Please complete your Web-based tech form and the car ready for safety inspection by ChampCar tech staff. Please have your Number / Sponsor panels installed. All teams will be given new 2025 sponsor panels. They must be installed at Tech.

Minors: No individual under the age of eighteen (18) years of age shall be allowed. Participants must be eighteen (18) years of age or older.

Arrival Procedures: Friday - Teams can park in Lot 3 and walk into the new registration building in Lot 3. Registration building will be open from 7:00am - 6:00pm on Friday.

Do not pull trailers into the office building parking lot.

In the registration office teams will sign the waiver and get a wristband that lets them enter the facility.

With their wristband on, they will drive their truck and trailer back down CR16 and enter at Gate 2.

Security at gate 2 will verify they have their wristband and let them enter the paddock.

Late arrivals on Friday will need to camp in Lot 3. You will be able to sign and get a ChampCar issued wrist band at 7:00am on Saturday. WGI will not allow anyone in without a ChampCar issued wristband. Driver / Crew bands will NOT work. **NO EXCEPTIONS.**

This is a new process for 2025, so please be aware, there may be last minute changes.

Test & Tune: ChampCar is hosting the Test-Practice session on Friday. Cost is \$200 per car. Pay at Registration. Required drivers meeting at noon. Remember that you must get your car through Tech and Registration during the day, make time for it during your testing sessions.

Track Access: No one is allowed access to the track after operations hours for any reason, i.e., running, walking, etc.

Paddock Electric: Limited power in the paddocks. See map. You must pay WGI Security personel, they will then unlock the power pole. \$50 fee to WGI security staff. These are located around the outside edge of the paddock.

Pitlane Access: The pitlane area gate is locked at the conclusion of the days events. Please plan accordingly.



Event Supplementals

Event Info

Pitlane Electric: Electrical hookups are limited along pitlane.

Pitlane Speed: 20 mph at all times.

Radio Frequencies: The ChampCar radio frequencies are reserved for ChampCar official use only and must not be used by the track or teams during the event. Monitor the [Race Logs](#)

Lighting: Some lighting is available but teams should bring additional lighting.

Guest & Pit Passes: All people that go over the pit wall must be full ChampCar Club Members. Guests may purchase a weekend membership to ChampCar at the front gate for \$20. This will give you paddock and cold pit lane access. See rules for minors.

Pets: Pets allowed into the track must be on a leash at all times. Please clean up after your pet. Pet access is a privilege not a right. The track reserves the right to deny pet access to the property at any time.

Children: No children 18 or under on pit road. Remember, this is New York. They have some very strict rules about age restrictions for minors, these are state laws, not just track rules.

Camping / RV Hookups: Self-contained RV camping is allowed Friday & Saturday night in your paddock. If you want one of the 25 RV sites with hookups you must book it separately. \$50 Hookup fee to WGI Security.

Barbecues: BBQ's are allowed in the camping area only, provided all BBQ's are supervised at all times, a fire extinguisher is within 15' of the open flame, and all open flames are (at a minimum) 20' from all race cars, fuel storage or other flammable sources.

Restroom / Showers: Restroom / Showers: Yes / Yes - Located Near Camping Area on Richardson Road.

Gate: 4-hour gate coverage. Must have ChampCar WGI Wristband. No admission without it.

Concessions: Will be open for this event.

Fuel on site: There are local gas stations in town. They may close early in town, so plan accordingly. Used oil and petroleum waste dump is located in the garage paddock. WGI Fuel Station Hours are: 8:00 AM – 11:30 AM and 12:00 PM – 3:30 PM.
93 Octane Unleaded (up to 10% Ethanol)
101 Octane Unleaded (up to 10% Ethanol)
110 Octane Unleaded (up to 10% Ethanol)
112 Octane Leaded (Ethanol-free)

Drones: Unmanned aircraft systems and drones are prohibited at ChampCar Endurance events at all times.

Media Information

ChampCar Live Timing: App or web based timing and scoring - <http://www.race-monitor.com>

Race Control Logs: <https://champcar.org/web/raceloglive.php>

Flagtronics Marching Ants Live: https://youtube.com/playlist?list=PL9H2L9PBtH7SWEuth_3HEUpu_K87-Qx61

Photo/Media Credentials: Drones are not allowed at CCES events. There will be a limit as to how many credentials are issued. Cut-off for event credentials is 2-Weeks before event start. All media has to be approved by WGI. Please visit <https://champcar.org/web/media.php>

Weather: We're racing, regardless of the weather.

Track Damage Fees

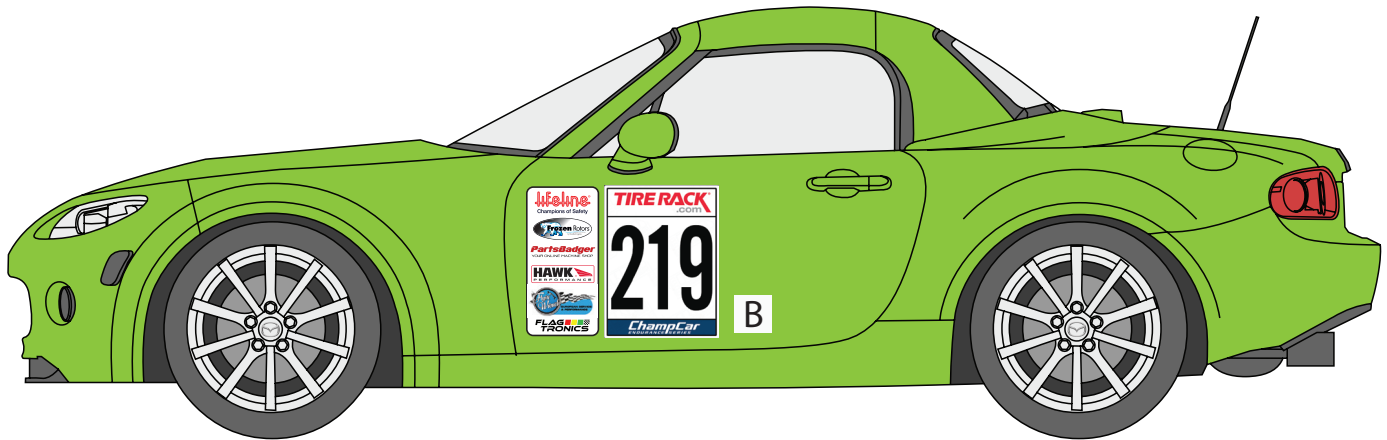
An invoice will be sent to the team captain. Payment plans can be worked out if needed. Unpaid track damage invoices could result in a membership hold until paid. Items will be taxed as applicable in the State of New York. Prices subject to change.

Guard Rail \$550.00/rail
Guard Rail Post \$250.00/each
SpeedyDry \$40.00/bag
Tire Wall Belt \$150.00/foot
Asphalt Damage \$300.00 minimum
(Asphalt repairs to gouges)
Sand Barrel Damage \$1500.00/barrel
Fluid Clean-up \$500.00/hour



Event Supplementals

Event Officials



2025 Sponsor Panel
Free - Available at Tech

NOTES:



The Supplemental Rules May Be Updated Without Notice.
Teams Are Advised To Check Them With Regularity And Print A Copy For Reference Prior To Coming To The Event.

<https://champcar.org/register/events.php>

info@ChampCar.org



Event Supplementals
Event Sponsor



SILICONSKY

ACCELERATING INNOVATION AT FULL SPEED



EMBRACING AI HELPS YOU HARNESS CUTTING-EDGE TECHNOLOGY TO DRIVE PAST THE COMPETITION. WE BRING SPEED, INTELLIGENCE, AND PRECISION TO YOUR TEAM.

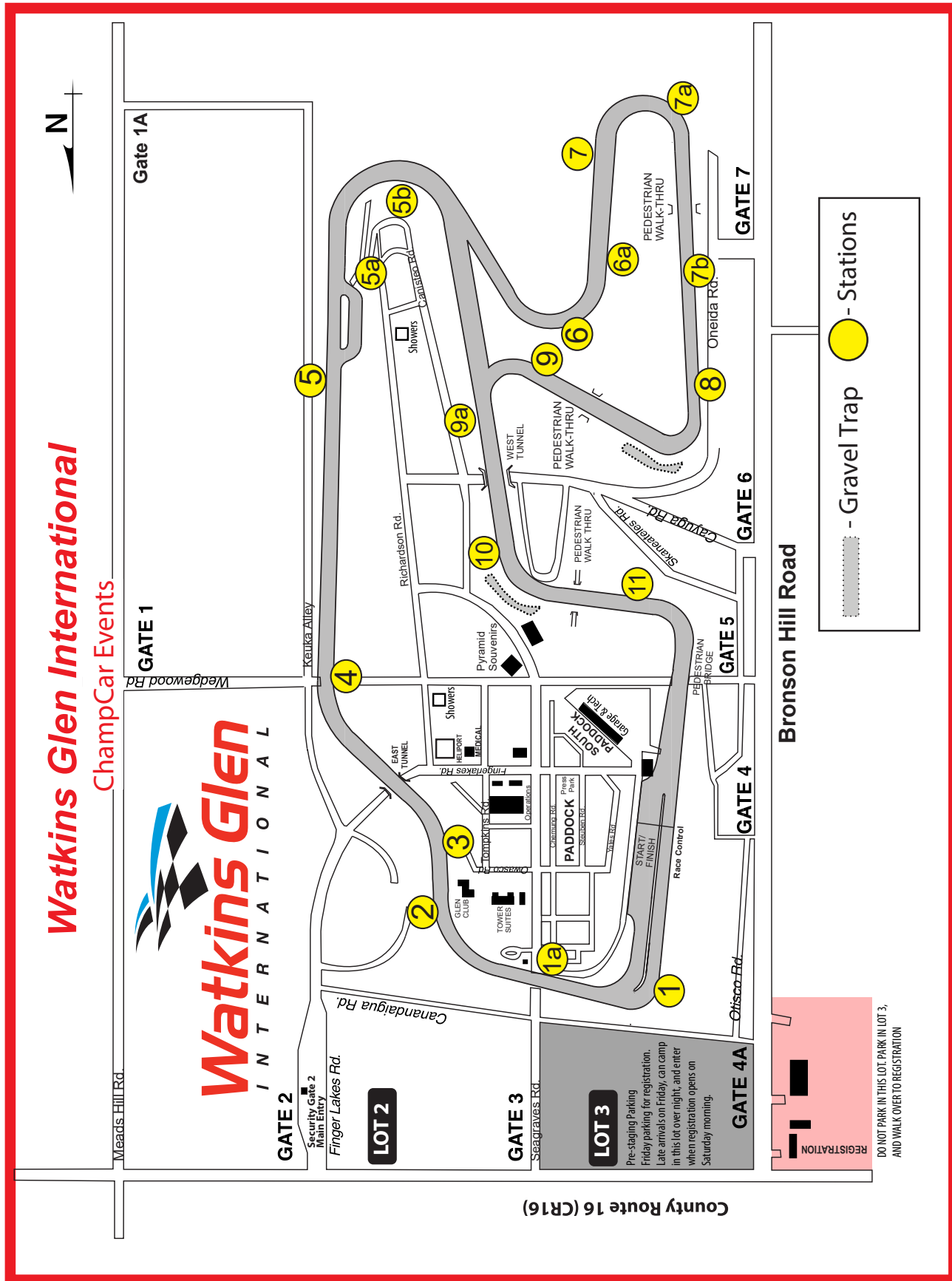
EMBRACING AI
★★★



Event Supplementals Track Maps

Watkins Glen International

ChampCar Events



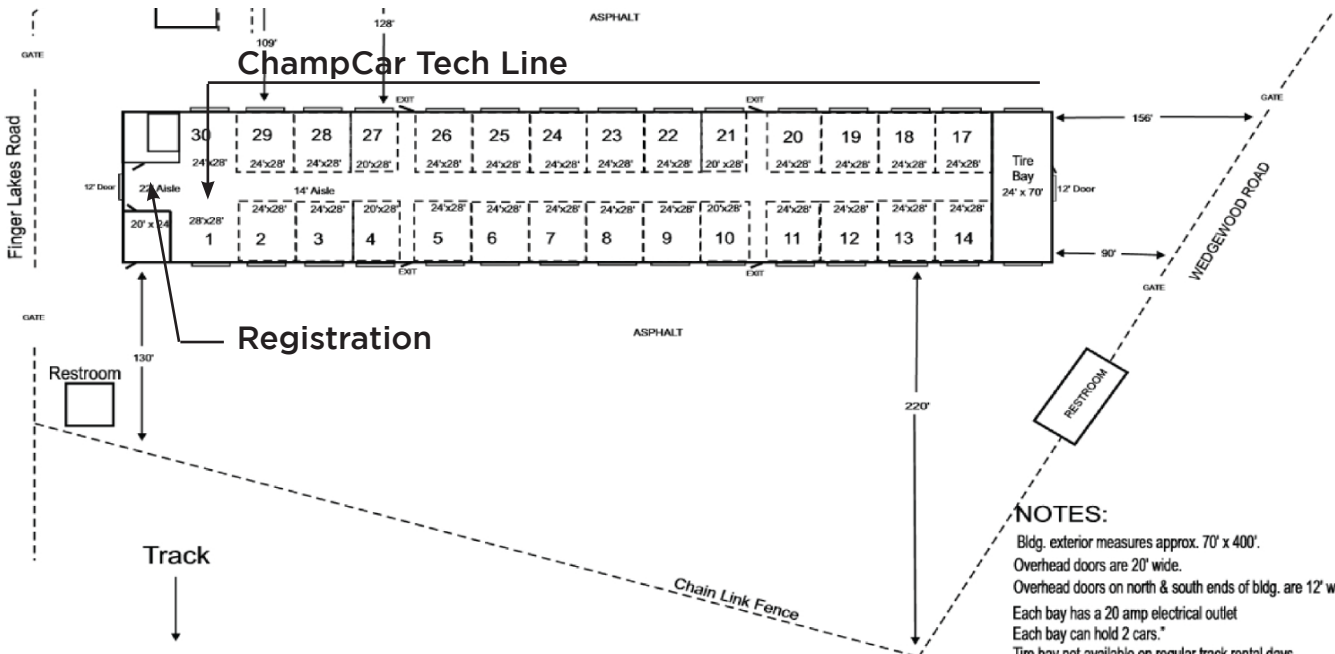
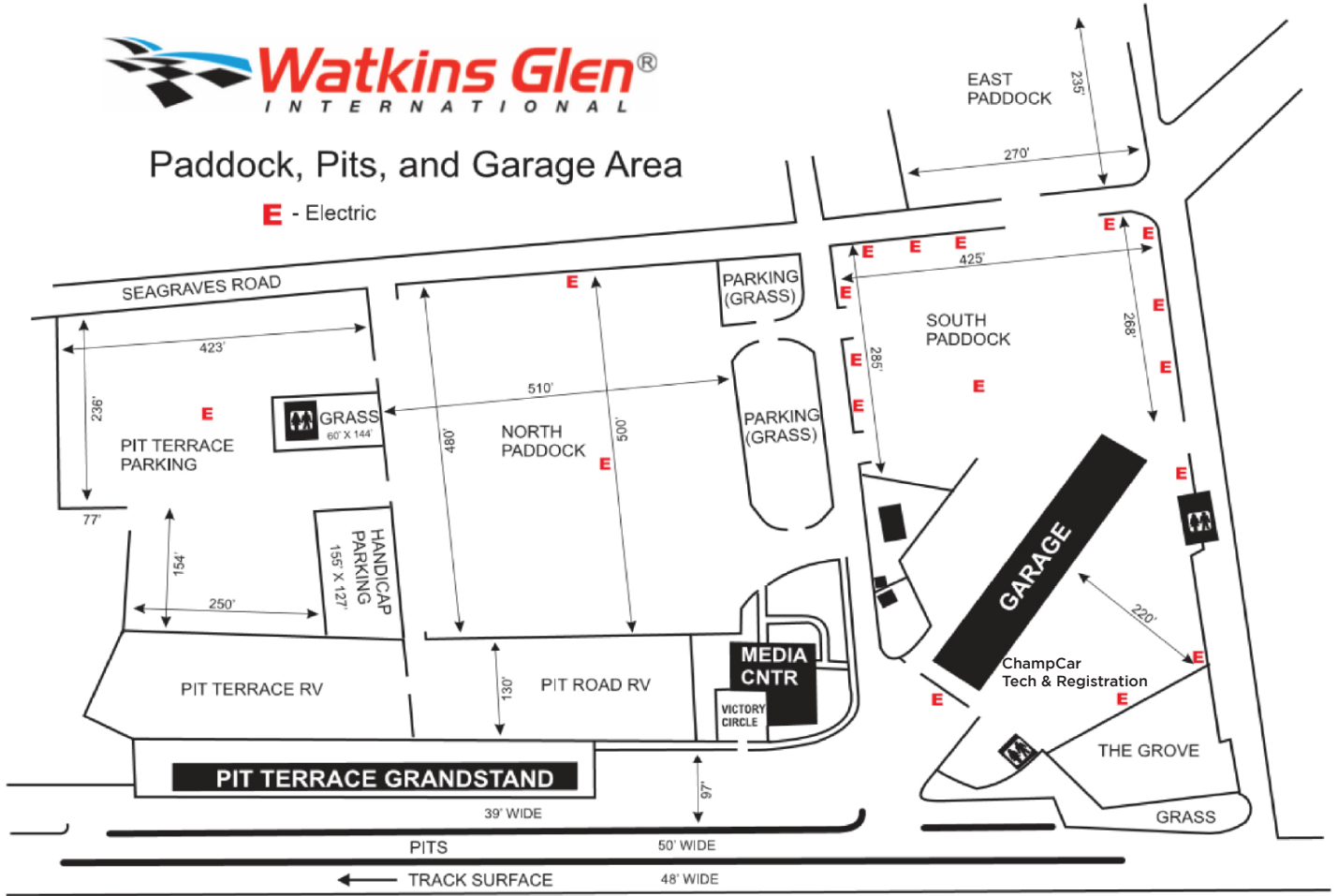


Event Supplementals Track Maps



Paddock, Pits, and Garage Area

E - Electric



NOTES:
Bldg. exterior measures approx. 70' x 400'.
Overhead doors are 20' wide.
Overhead doors on north & south ends of bldg. are 12' wide.
Each bay has a 20 amp electrical outlet
Each bay can hold 2 cars.*
Tire bay not available on regular track rental days.
Bays 1 and 30 usually off-limits for Tech. activities